



Kube Drinking Water Filter

Installation Instructions



0808 164 2019
www.kubewater.co.uk

Thank you

We are thrilled you're only moments away from amazing filtered water on tap...

Kinetico Installation Service

To ensure peace-of-mind, compliance with water regulations and warranty compliant workmanship, we recommend your new Kube Drinking Water Filter is installed by an experienced Kinetico Technical Engineer.

Installation takes up to 1 hour. Access under your kitchen sink will be required.

If the need arises to drill through granite worktops, an additional charge may be payable. This will be agreed prior to installation.

Self Installation

If you decide to install the Kube Drinking Water Filter yourself, please ensure the installation complies with our instructions and all necessary water regulations.

Let's get started

This manual has everything you need to get your new Kube Drinking Water System up and running!

Installation pre-check	5
What's in the box?	6
Preparing for Kube	7
Customer support	7
Connecting Kube	8
Installation - Kinetico 1 way tap	12
Installation - Kinetico Gemini 3 way tap	13
Installation - Kinetico Carina 3 way tap	14
FAQs	15
Warranty	15



Installation pre-check

The installation kit includes a saddle valve for a 15mm copper pipe. For any further assistance please contact Kinetico on 0808 164 2019.

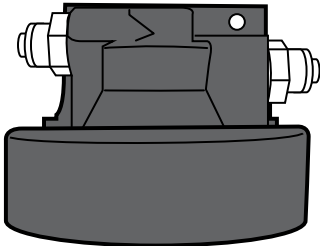
CAUTION:

- Do not use the Kube with water that is microbiologically unsafe or of unknown quality.
- The Kube Drinking Water System must be properly located and installed in accordance with these Installation Instructions.
- Use the Kube on a safe-to-drink, COLD water supply only.
- Do not install on a HOT WATER supply.
- Do not install the Kube outside or anywhere it is likely to freeze, water freezing in the system may cause damage. The temperature of the water supply to the Kube must be above 2°C.
- The Kube will withstand up to 6 bar water pressure.
- To order replacement filters visit [kinetico.co.uk](https://www.kinetico.co.uk)

If in doubt, give us a call on 0808 164 2019, we are here to help.

What's in the box?

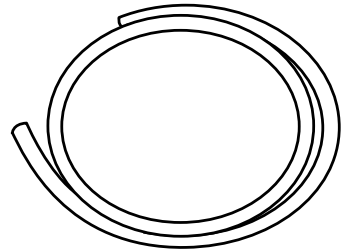
- 1** 1 x Kube Drinking Water Filter head



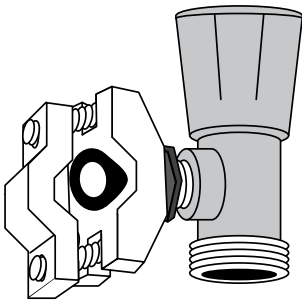
- 2** 1 x high-capacity filter cartridge



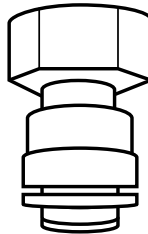
- 3** 1 x 1/4" plastic tubing



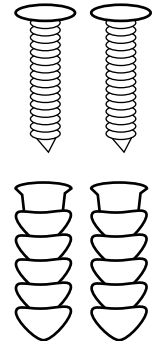
- 4** 1 x self-cutting saddle valve



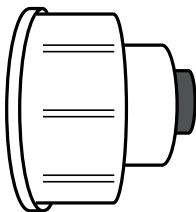
- 5** 1 x tap adaptor



- 6** 2 x screws and 2 x wall plugs

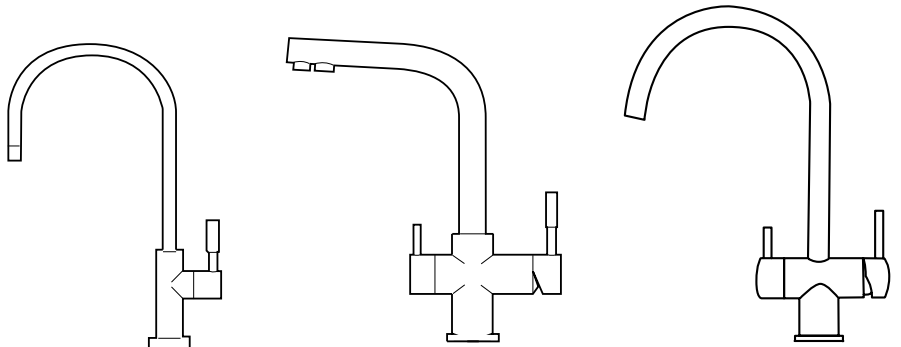


- 7** 1 x 3/4" adaptor



Optional extra

1 x drinking water tap (1-way or 3-way options available)

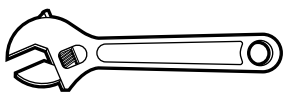


Preparing for Kube

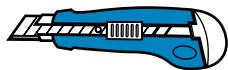
To complete installation you should have a basic knowledge of plumbing fittings.

Necessary Tools

Adjustable wrench



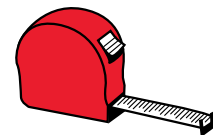
Utility knife



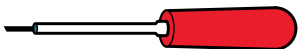
12mm drill bit



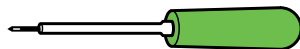
Tape measure



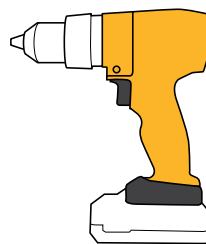
Flat bladed screw driver



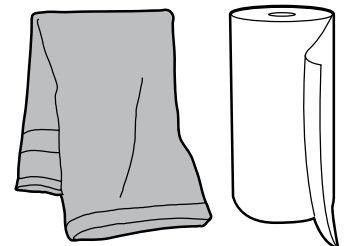
Cross headed screw driver



Drill

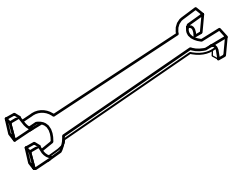


Dry towel/paper towels



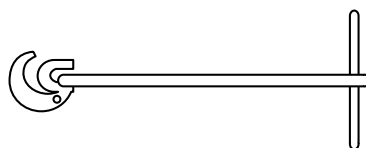
Advisable Tools:

22mm basin wrench



OR

Adjustable basin wrench



Customer support

The Kinetico customer services team is always on hand to assist and help you with any questions or support you require.

For all enquiries, please send an e-mail to info@kinetico.co.uk or contact us on: 0808 164 2019.

Please also check out our FAQs, see page 15.

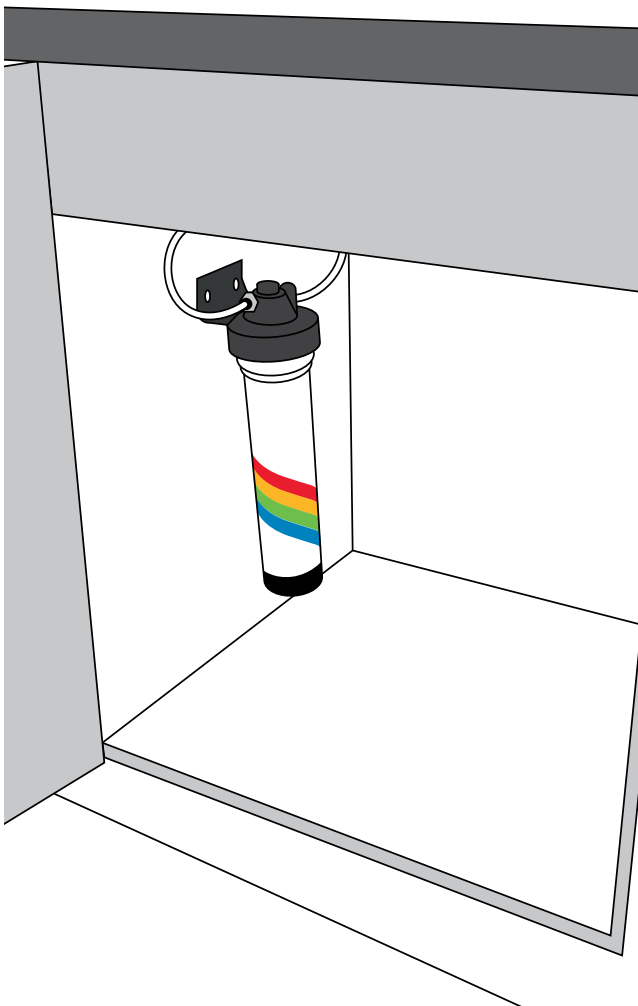
Connecting Kube

STEP 1

Check the clearance

Clean out the area under your sink and ensure that there is enough room for your Kube Drinking Water System.

Check that the cold water supply, the proposed location of the system and the location of the drinking water tap requires no more than 1.5m of the supplied 1/4" pipe.



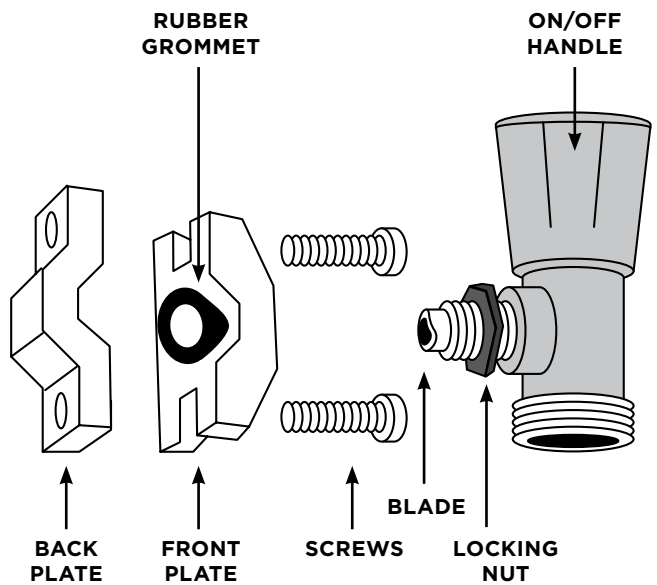
STEP 2

Shut off the water!

Isolate the supply to your cold water tap. Open the tap and drain any residual water to ensure it is fully isolated.

STEP 3

Attach the saddle valve



Locate the 15mm \varnothing copper cold water supply pipe to your kitchen tap.

Select a suitable position to attach the saddle valve, down stream of the isolation point.

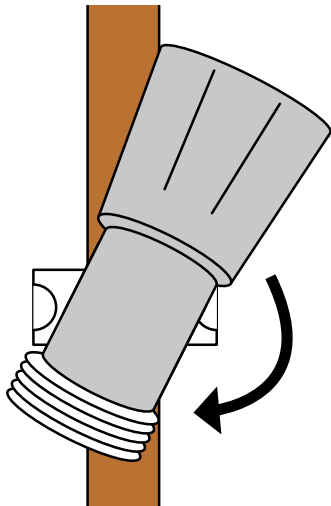
Remove the screws and back plate from the saddle valve. Place the back plate on the back of the 15mm pipework and place the front plate (rubber grommet facing inwards) opposite.

Using the two screws, bring the plates together, taking care to secure firmly. Do not over tighten and crush the copper pipe.

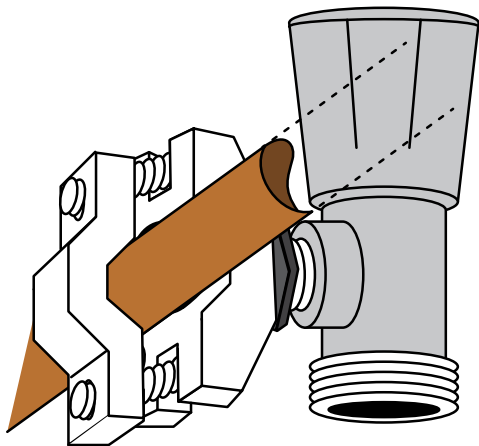
STEP 4

Cut the pipe

Push and twist the saddle valve body into the threaded hole in the front plate, then wind clockwise until almost fully wound.



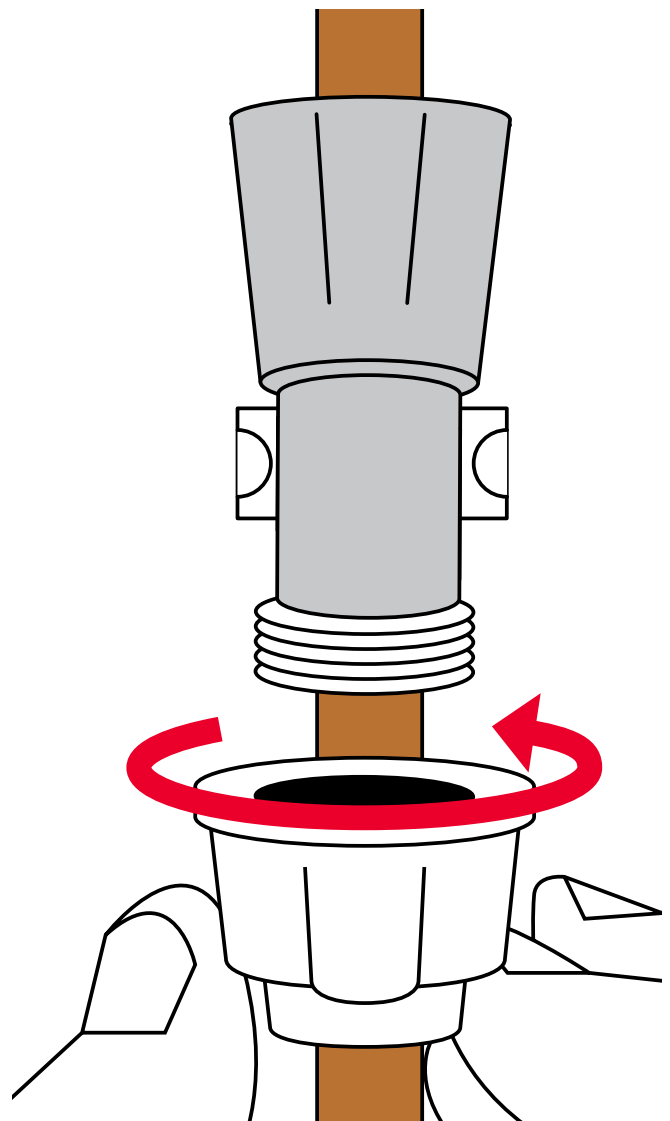
Lock the body in place by tightening the locking nut against the front plate with a spanner.



STEP 5

Attach the 3/4" adaptor

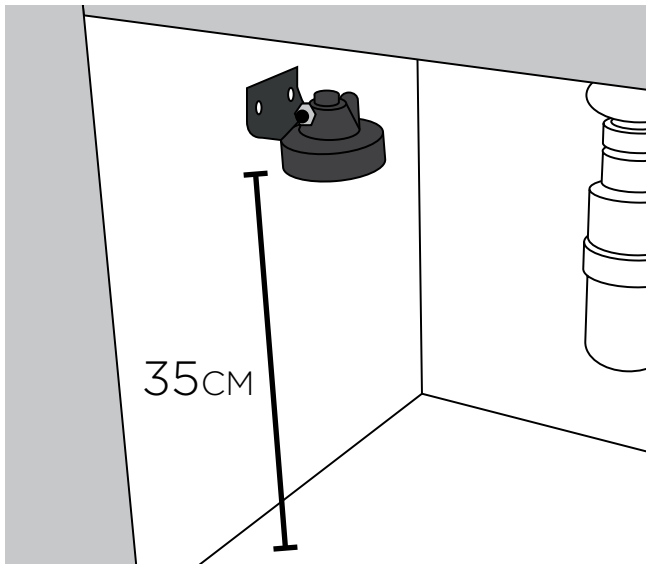
Attach the 3/4" adaptor to the 3/4" male thread on the saddle valve by turning clockwise.



STEP 6

Secure the filter head

Attach the filter head to the side of your kitchen cupboard, ensuring there is a minimum of 35cm clearance below the filter head to allow for easy removal and replacement of the filter cartridge.

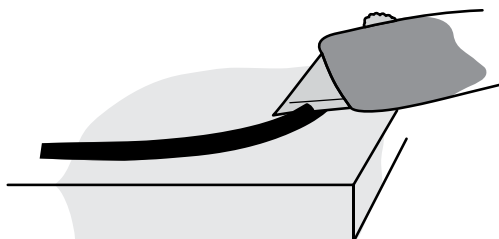


STEP 7

Cut the tubing

Measure the length of tubing required from the saddle valve to the left hand connection on the filter head, allowing for a bit of slack.

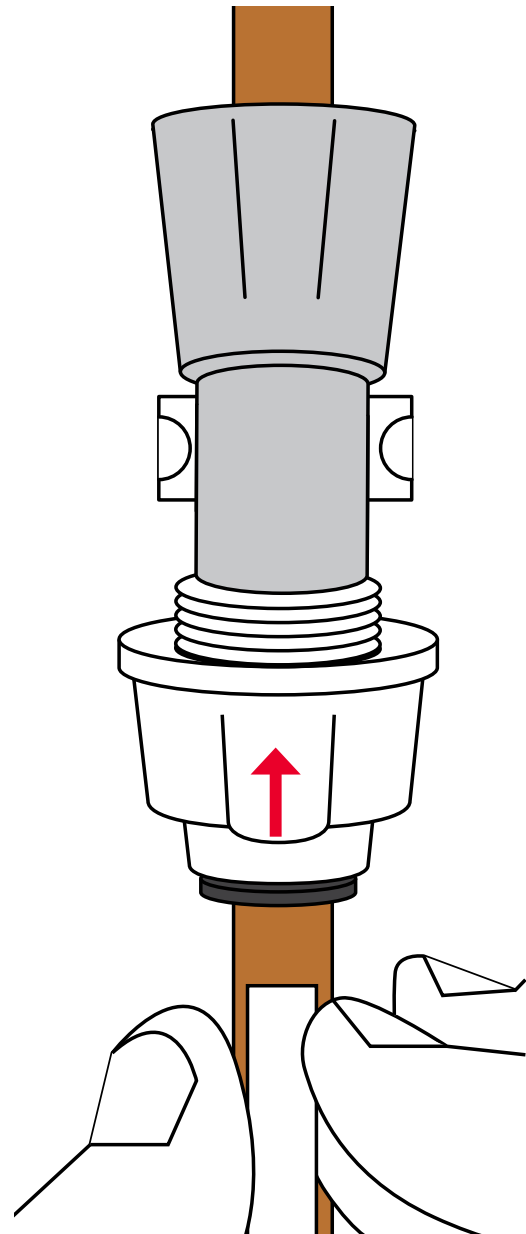
Taking care not to kink the tubing, use a sharp utility knife to make a perpendicular cut at the correct length.



STEP 8

Connect the water supply

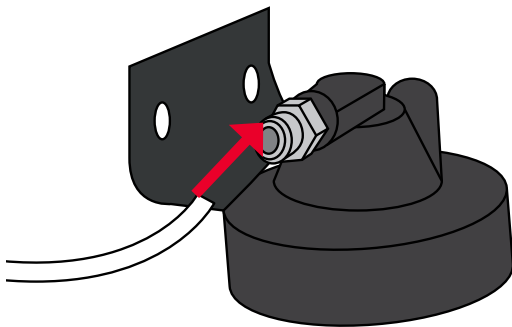
Push the cut length of tubing all the way into the adaptor fitted to the saddle valve. Pull back to check it is secure.



STEP 9

Connect to inlet fitting on filter head

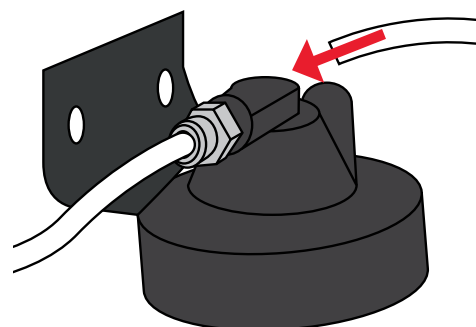
Push the other end of the tubing into the inlet fitting on the filter head. Push it all the way in and pull back to check it is secure.



STEP 11

Connect to outlet fitting on filter head

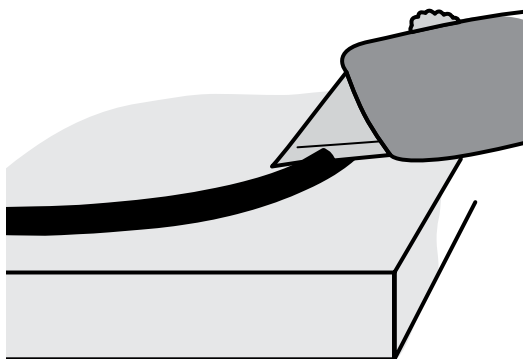
Push the other end of the tubing into the inlet fitting on the filter head. Push it all the way in and pull back to check it is secure.



STEP 10

Cut the outlet tubing

Measure the length of tubing required from the right hand (outlet) connection on the filter head, to where the tap will be installed, allowing for a bit of slack. Taking care not to kink the tubing, use a sharp utility knife to make a perpendicular cut at the correct length.

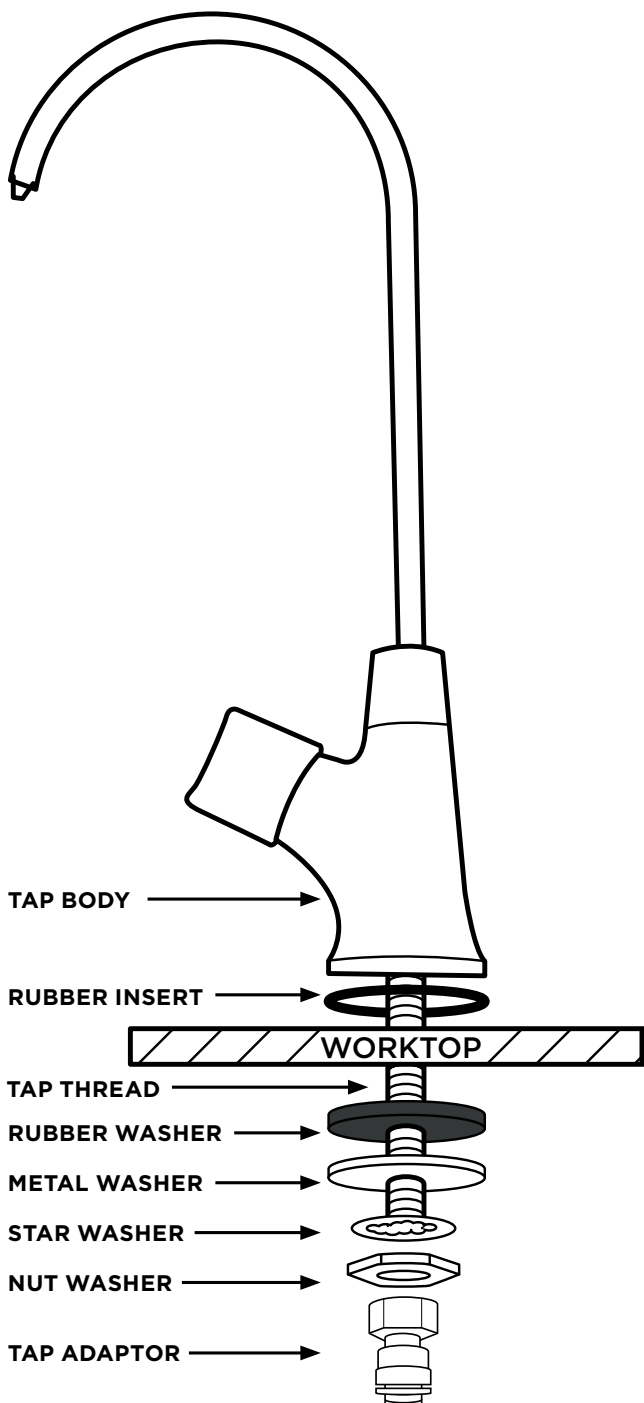


STEP 12

Install the tap

It is now time to install the tap, please follow the instructions on the next appropriate page.

Installation: Kinetic 1 way tap



STEP 1

Drill the hole

Drill a 12mm \varnothing hole in the appropriate location.

STEP 2

Fix the tap

Slide the rubber insert over the thread and place neatly inside the recess under the body of the tap. Insert the tap through the worktop. Slide on the rubber washer, metal washer, star washer and nut. Tighten the fixings and ensure the tap is in the correct position before final tightening.

STEP 3

Attach the tap adaptor

Screw tap adaptor firmly onto the thread to ensure the rubber seal is water tight.

STEP 4

Connect the outlet tubing

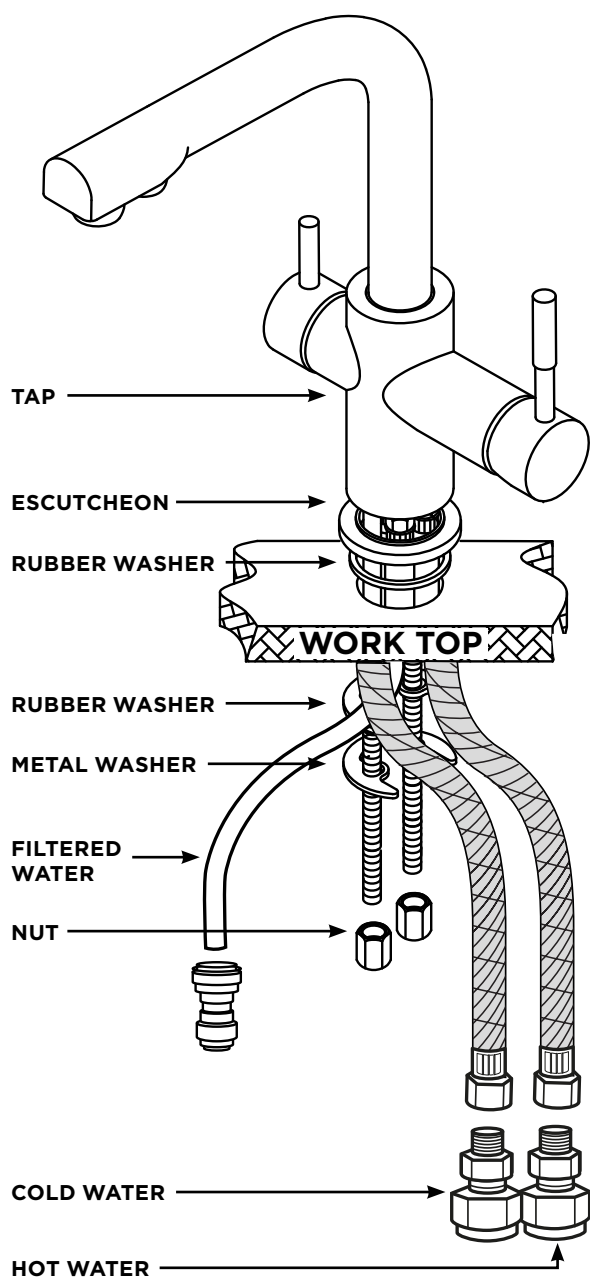
Push the cut length of tubing all the way into the tap adaptor. Pull back to check it is secure.

STEP 5

Flush the system

To complete the installation process, turn the tap and flush the system for 5 minutes.

Installation: Kinetico Gemini 3 way tap



WARNING: Do not use tools to tighten the flexible pipes to the low part of the tap, this may cause them to become damaged.

STEP 1

Drill the hole

Drill a 36mm \varnothing hole in the appropriate location.

STEP 2

Fix the tap

Slide the escutcheon up the pipework to the bottom of the tap. Screw the fixing bolts into the bottom of the tap. Place the pipework through the hole. Slide the rubber and metal washer over the pipework. Screw and tighten the two nuts on the fixing bolts, securing the tap to the work surface.

STEP 3

Attach the tap adaptors

Attach the two 15mm adaptors to the bottom of the hot and cold pipes and attach the 3/8" - 1/4" adaptor.

STEP 4

Connect the outlet tubing

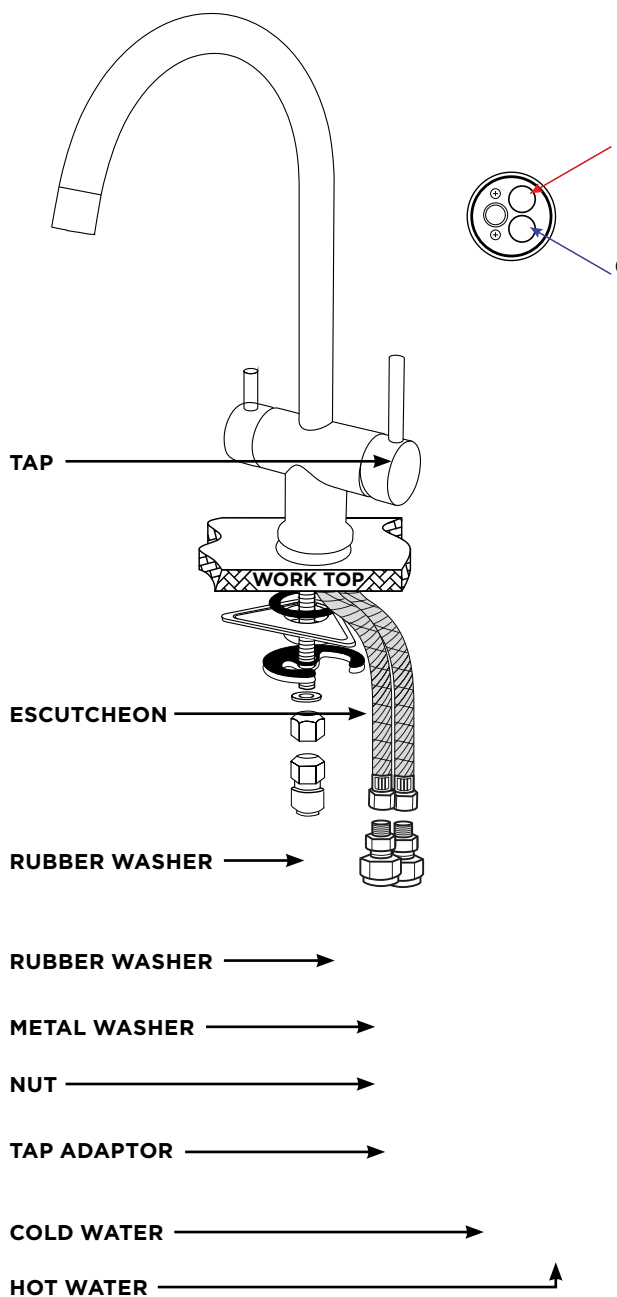
Push the cut length of tubing all the way into the tap adaptor. Pull back to check it is secure.

STEP 5

Flush the system

To complete the installation process, turn the tap and flush the system for 5 minutes.

Installation: Kinetico Carina 3 way tap



WARNING: Do not use tools to tighten the flexible pipes to the low part of the tap, this may cause them to become damaged.

STEP 1

Drill the hole

Drill a 36mm \varnothing hole in the appropriate location.

STEP 2

Fix the tap

Slide the escutcheon up the pipework to the bottom of the tap. Screw the fixing bolts into the bottom of the tap. Place the pipework washer through the hole. Slide the rubber and metal washer over the pipework. Screw and tighten the two nuts on the fixing bolts, securing the tap to the work surface.

STEP 3

Attach the tap adaptors

Attach the two 15mm adaptors to the bottom of the hot and cold pipes and attach the 3/8" - 1/4" adaptor.

STEP 4

Connect the outlet tubing

Push the cut length of tubing all the way into the tap adaptor. Pull back to check it is secure.

STEP 5

Flush the system

To complete the installation process, turn the tap and flush the system for 5 minutes.

FAQs

How long will the Kube filters last?

The filters in the Kube are rated to last 6,000 litres, or approximately 12 months for an average family of four.

How will I know when to replace the Kube filters?

The Kube filter is designed to last 12 months. We recommend you indicate the month the cartridge is fitted in the appropriate box on the label, this way you will know when it needs to be changed the following year.

Why are there black particles in my water?

The black particles are perfectly normal and harmless. These should only be present straight after installation. Ensure the system has been flushed, with the tap on full flow, for 5 minutes. Following this there should be no further particles.

How long is the warranty?

Your Kube comes with a two year limited warranty. It is valid for two years from the original date of purchase and covers any defect in materials or workmanship in the manufactured product.

Warranty

Important - the warranty does not cover:

- Product failure if it is abused, misused, altered, used commercially or used for other than the intended purpose.
- Use where water is microbiologically unsafe or of unknown quality without adequate disinfection before or after the system.
- Damage caused by accident, fire, floods or acts of nature.
- Incidental, consequential or special damages caused by possible defects with this appliance, its installation or repair.

Terms and conditions:

Kinetico products are manufactured to exacting standards and backed by the most comprehensive warranties in the industry. Your warranty is in addition to and does not affect your statutory rights. The warranty is valid from date of purchase and subject to the following conditions;

- The product is used for domestic purposes only in the United Kingdom.
- The product is installed and operated in accordance with our instructions.
- The product is not subject to misuse or tampered with in any way.

Within the warranty period, should the product or any part thereof prove to be defective by reason of faulty workmanship or materials used in the manufacture of the product, we shall, at our option, either repair or replace the same free of charge provided the above conditions have been met and that the service work is carried out by Kinetico UK Ltd or by an Authorised Kinetico Agent. The warranty on any exchanged parts or product will expire when the normal product warranty expires.



0808 164 2019
www.kubewater.co.uk
